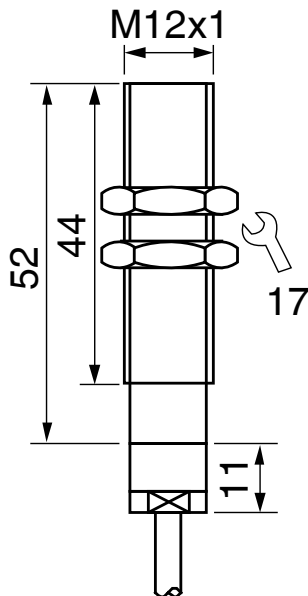


IT-12BPOT-L-60

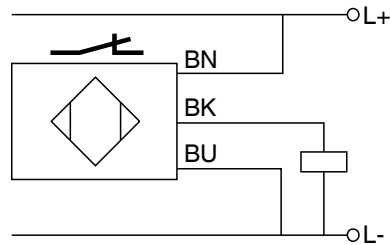
Technical data:

- | | |
|-----------------------------|---|
| 1. Switching distance s_n | : 2 mm flush |
| 2. Operating point | : $0.8 s_n$ |
| 3. Hysteresis | : $< 0.1 s_n$ |
| 4. Ambient temperature | : $-55\text{ °C} \dots +60\text{ °C}$ |
| 5. Supply voltage | : 10...30 V DC |
| 6. Switching output | : PNP-NC (normally closed), short circuit proof |
| 7. Switching current | : max. 200 mA |
| 8. Current consumption | : max. 4 mA |
| 9. Voltage drop | : max. 2 V |
| 10. Switching frequency | : 1000 Hz |
| 11. Protection [EN 60529] | : IP 68 / IP 69 |
| 12. Housing materials | : PTFE / stainless Steel |
| 13. Electrical connection | : 2 m FEP-cable 3x0.34 mm ² |

Dimensions



Connection diagram



Colour code:
BN: brown BK: black BU: blue